

Filter Switch

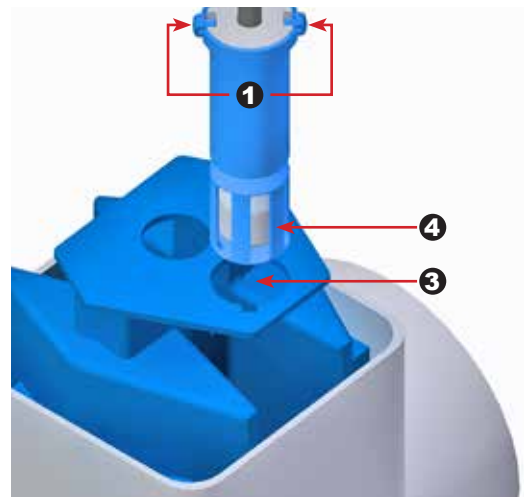
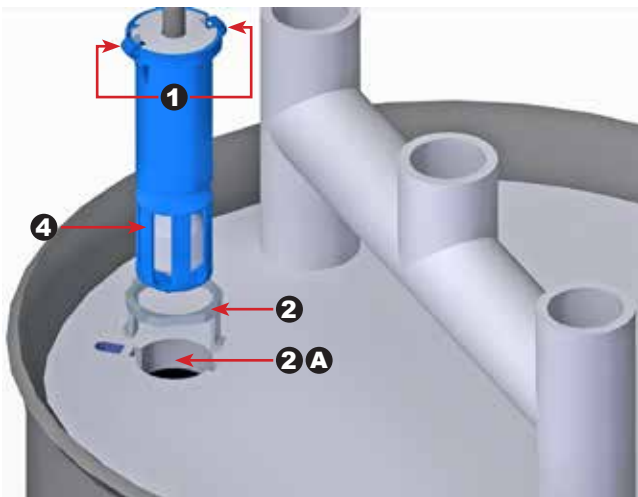
DESCRIPTION OF OPERATION



Alderon's filter switch is used to activate an alarm when a septic tank effluent filter needs to be serviced. The filter switch is adaptable to be installed in any effluent filter that has a 1" through hole. On effluent filters with a 1" diameter through hole, simply press the filter switch in the hole and the filter will snap into place. Effluent filters that have a hole with an internal vertical wall can use Alderon's filter switch by placing the adapter in the hole before installing the filter switch. The filter switch is easily removed, by pressing the "release" tabs on the filter switch and pulling out of the hole.

FEATURES

- ① Release tabs - easy removal
- ② Adapter - fits filter with internal wall (2A)
- ③ Easily snaps into 1" through hole
- ④ Float cage - protects float



SPECIFICATIONS

Filter Switch

Electrical

10 VA, 12 VAC/DC to 120 VAC

Operating Temperature

0-120° F

Float Housing

ABS plastic

Float Holder

ABS plastic

Cable

Flexible 18 gauge, 2 conductors,
SJOOW (UL, CSA), water resistant
rubber (CPE)

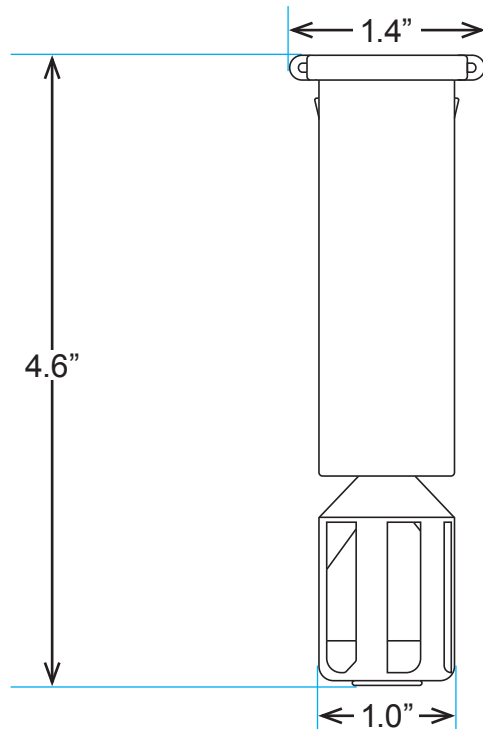
Maximum Angle

5° total from vertical

Housing and Float

1.0" diameter x 4.6" height

MECHANICAL DRAWING



ORDERING INFORMATION

PART NUMBER	DESCRIPTION
7739	15' Filter Switch, Normally Open, 10 VA, 12 VAC/DC to 120 VAC
7740	20' Filter Switch, Normally Open, 10 VA, 12 VAC/DC to 120 VAC