

Wide Angle Float Switch

BIG SWITCH™ Pump Control

Leading Edge Design



1. High Amp Rating

- ▶ Eliminates 1/2 horsepower float switches.
- ▶ Rated at 15 amps, allows the Big Switch™ to be used on both small and large horsepower pumps.

2. Environmentally Safe

- ▶ Patented mechanical switching mechanism eliminates the use of hazardous mercury.

3. High Integrity Design

- ▶ Special made cable utilizes a high number of fine stranded copper wires for an extremely flexible, long-life cable.
- ▶ Heavy duty contacts.



Features

Patented Mechanical Design

Mechanically activated snap action contacts

PVC Float Housing

Excellent corrosion resistant and withstands high impacts

Heavy Duty Cable

Extra flexible 14 gauge, 2 conductor cable

Omni-Directional

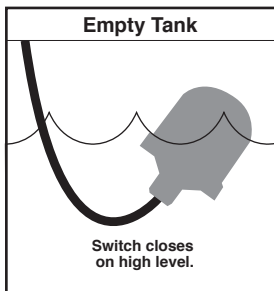
Not sensitive to rotation or turbulence

Adjustable Pumping Range

UL Listed / 3-Year Warranty

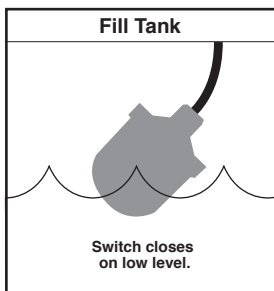
Guaranteed safety and performance

Applications



Normally Open (Pump Down)

The Big Switch™ turns on (closes) when the float is 45 degrees **above** horizontal, turning on the pump and turns off (opens) when the float drops 45 degrees **below** horizontal, turning off the pump.



Normally Closed (Pump Up)

The Big Switch™ turns on (closes) when the float is 45 degrees **below** horizontal, turning on the pump and turns off (opens) when the float is 45 degrees **above** horizontal, turning off the pump.

Specifications

Electrical

15 amps, 120/230 VAC

Operating Temperature

0-140 F

Float Housing

3.25" diameter x 4.55" length, high impact PVC

Cable

Flexible 14 gauge, 2 conductors, SJOW (UL, CSA), water resistant, rubber (CPE)

Switching Differential

90 degrees total

NOTE: The Big Switch™ must be used with pumps that provide integral thermal overload protection.



Leading Edge Control Products

Alarm Systems

Control Panels

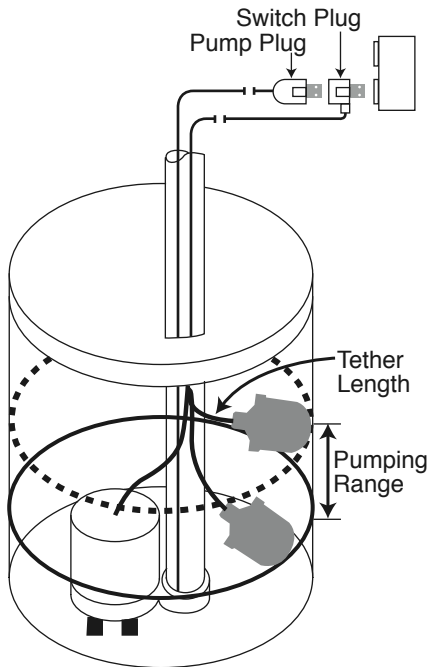
Float Switches

Leak Detection Systems

Wide Angle Float Switch **BIG SWITCH™ Pump Control**

Installation Notes

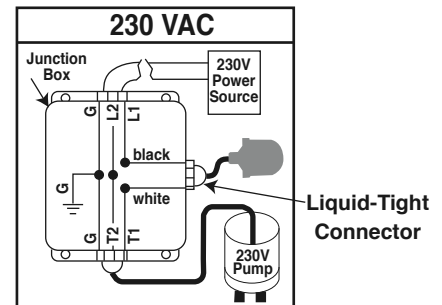
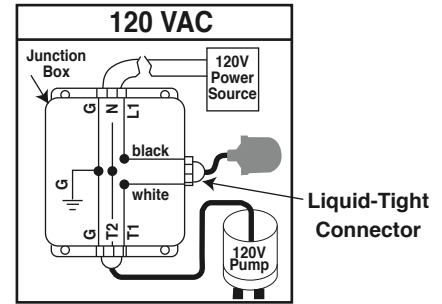
Piggy Back Installation



Determining Pumping Range in Inches	
Tether Length	Pumping Range
4	8
5	9
6	10
7	11
8	12
9	13
10	14
11	15
12	16
16	20
17	21
18	22

Use only as a guide. Pumping ranges are based on testing in non-turbulent conditions. Range may vary due to water temperature and cord shape. NOTE: As the tether length increases, so does the variance of the pumping range.

Direct Wire Installation



Order Numbers

Part Number	Description
7054	Big Switch™, Pump Down, 15' Cable, 120 VAC Piggy Back Plug (Empty Tank)
7055	Big Switch™, Pump Down, 20' Cable, 120 VAC Piggy Back Plug (Empty Tank)
7056	Big Switch™, Pump Down, 30' Cable, 120 VAC Piggy Back Plug (Empty Tank)
7060	Big Switch™, Pump Down, 15' Cable, 120/230 VAC No Plug (Empty Tank)
7061	Big Switch™, Pump Down, 20' Cable, 120/230 VAC No Plug (Empty Tank)
7062	Big Switch™, Pump Down, 30' Cable, 120/230 VAC No Plug (Empty Tank)
7063	Big Switch™, Pump Up, 15' Cable, 120 VAC Piggy Back Plug (Fill Tank)
7064	Big Switch™, Pump Up, 20' Cable, 120 VAC Piggy Back Plug (Fill Tank)
7065	Big Switch™, Pump Up, 30' Cable, 120 VAC Piggy Back Plug (Fill Tank)
7069	Big Switch™, Pump Up, 15' Cable, 120/230 VAC No Plug (Fill Tank)
7070	Big Switch™, Pump Up, 20' Cable, 120/230 VAC No Plug (Fill Tank)
7071	Big Switch™, Pump Up, 30' Cable, 120/230 VAC No Plug (Fill Tank)

Please reference the price schedule for the complete product listing (i.e., 230V Piggy Back Plug and Longer Cord Lengths).



Leading Edge Control Products

CS1009A

Alarm Systems

Control Panels

Float Switches

Leak Detection Systems

PO Box 827 • Hawley, MN 56549 • (218) 483-3034 • Fax (218) 483-3036 • www.alderonind.com