

Outdoor Alarm System

Operation, Maintenance and Installation Manual

Introduction



Before proceeding with the installation or operation of the Versa'larm™ 4X, read all instructions thoroughly, as well as complying with all Federal, State and Local Codes, Regulations and Practices. The Versa'larm 4X must be installed by qualified personnel familiar with all applicable local electrical and mechanical codes. Refer to the National Electrical Code (NFPA 70). Failure to properly install and test this product can result in personal injury or equipment malfunction.

The Versa'larm 4X is a multipurpose alarm that can be used in a wide variety of applications such as: septic tanks, sumps, holding tanks, pump chambers and water tanks.

Safety Guidelines



1. DO NOT USE WITH FLAMMABLE OR EXPLOSIVE FLUIDS SUCH AS GASOLINE, FUEL OIL, KEROSENE, ETC. DO NOT USE IN EXPLOSIVE ATMOSPHERES.
2. DISCONNECT ALL POWER WHEN INSTALLING, WORKING ON THE UNIT OR REPLACING THE FUSE.
3. FAILURE TO TURN OFF ALL POWER WHEN SERVICING THE VERSA'LARM 4X COULD RESULT IN SERIOUS INJURY OR DEATH.

Description of Operation

The Versa'larm 4X is powered by 120 VAC, "hard wired". When power is applied, the green "Power" indicator light (located externally) will illuminate. When a float switch "closes" the buzzer and beacon will turn "on".

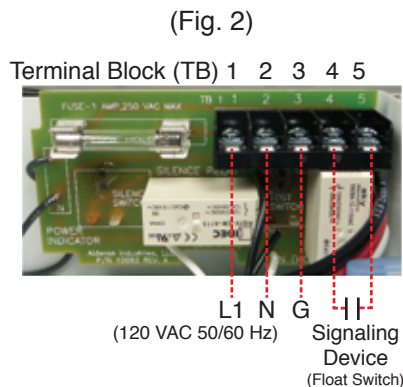
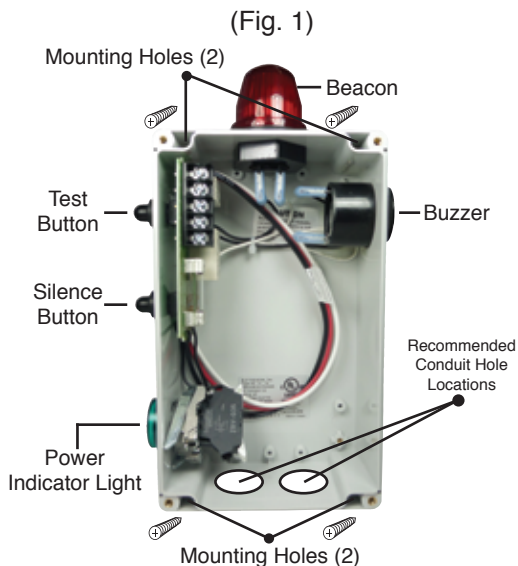
Pressing the "Silence" button deactivates the buzzer and the optional auxiliary contacts. When the alarm is remedied, the system automatically resets itself. The system can be tested by pressing the "Test" switch, when pressing the switch, the buzzer should announce and the beacon should illuminate. The auxiliary contacts are activated when an alarm condition occurs. The single pole double throw contacts can switch a maximum of 5 amps at 120 VAC.

Electrical Information

Primary Power:	120 VAC, 50/60 Hz
Watts:	10 Watts
Fuse:	1 Amp Fast Acting Type AGC
Auxiliary Contacts:	Single Pole, Double Throw 5 Amps at 120 VAC
Buzzer:	85db at 10 Feet
Switch:	UL Listed, 120 VAC, 1 Amp Minimum
(signaling device)	Single Pole, Single Throw

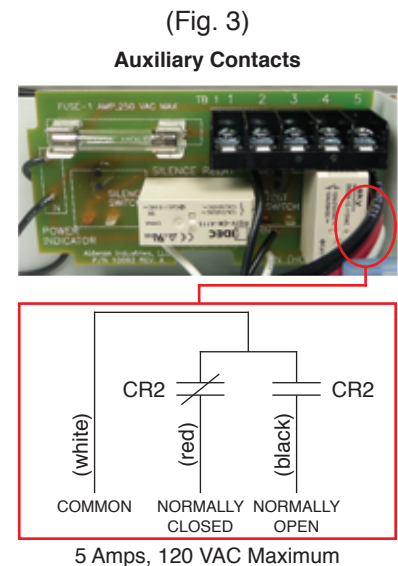
Installation of the Versa'larm 4X

- Determine mounting location for the Versa'larm 4X. Mount the unit using four #8 x 1.25" self tapping screws (not included) (Fig. 1). The cover must be removed, then install the screws through the hole openings provided in the enclosure. **Note:** The cover seals around the hole openings maintain a waterproof enclosure.
- Drill holes for conduit connections, see Figure 1 for recommended hole locations on the enclosure. Attach conduit per National Electrical Code.
- Bring power wires through the conduit into the unit and connect to the terminal block (Fig. 2). Connect L1 to TB1, N to TB2 and G to TB3. Make sure the power is on a separate circuit breaker from any other device to maintain power integrity.
- Bring "signaling device" wires (such as a float or pressure switch, etc.) through the conduit and connect to the terminal block (Fig. 2). Connect to TB4 and TB5. **Caution!** - When installing the "signaling device", refer to its installation instructions for proper installation. Connect only with UL or CSA listed switches rated 1 amp at 120 VAC minimum.
- Caution!** - When installing wires, route all wires away from sharp objects and internal components. After all wires are installed, seal all conduits, per National Electrical Code, that come from sources containing corrosive gases. Failure to do so will cause premature failure and void warranty.
- If using the auxiliary contacts, make connection via wire nuts (Fig. 3). The auxiliary contacts can switch a maximum of 5 amps, 120 VAC.
- Reinstall the enclosure cover and carefully tighten the four screws.



CAUTION! - Failure to connect power in and float as shown (Fig. 2) will cause catastrophic circuit board damage.

Do not exceed 8 in. lbs. torque when tightening screw terminals.
Wire Range: 12-24 AWG



Testing the Versa'larm 4X

- Turn on power, the "Power" indicator light should illuminate. Then, press the "Test" button located on the left side of the unit (Fig. 1). Once the "Test" button is pressed, the buzzer should announce and beacon should illuminate. While pressing the "Test" button, press the "Silence" button and the buzzer should silence. Let go of the "Test" button and repeat the sequence several times to ensure the system is working properly.
- Test the system similar to Step 1, but by activating the "signaling device". The buzzer should announce and the beacon should illuminate.
- Test product weekly to ensure system integrity.