

Description of Operation

The Duplex Oil Alert is a NEMA 1 (indoor rated) Single Phase Duplex control panel that alternates the pumps for equal wear. It's designed to pump water out of elevator sump pits, transformer vaults and leachate wells while containing the oil or hydrocarbons in the pumping tank. Indicator lights on the front door will illuminate if the systems has power, or if there is a high water or high oil alarm (optional pump overload indicator available).

Electrical Ratings

- 1 Phase
- 0-15 Amps
- 120V or 230V
- 60 Hz.

External Components

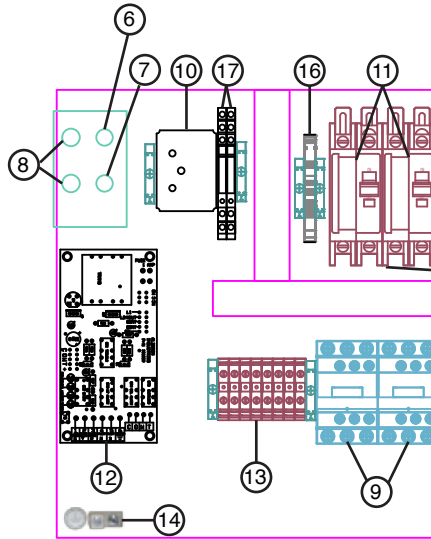
- 14X12X8 Nema 1 Thermoplastic
- Green Power On Indicator
- Blue High Water Indicator
- Red High Oil Indicator
- Preset Level Sensor

Internal Components

- Green Pump 1 Run Indicator
- Green Pump 2 Run Indicator
- HOA Switches
- IEC Motor Contactors
- Alternating Relay
- Pump Circuit Breakers
- Circuit Board
- Terminal Blocks
- Ground Lug
- UL Listed
- Control Fuse
- Control Relays

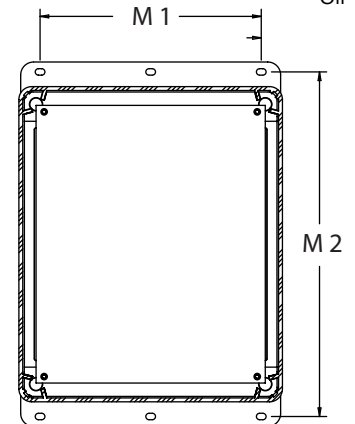
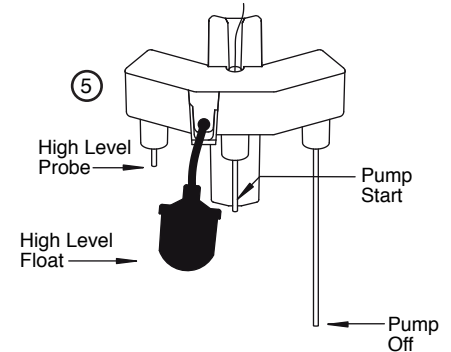
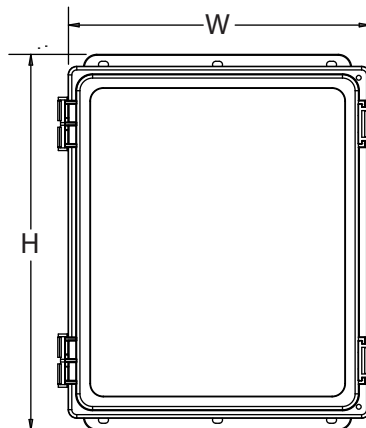
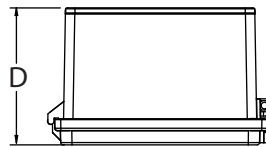
Features and Benefits

- Separate alarm & control fuses
- Load selector switch on alternator
- Preset Level Sensor



Enclosure Dimensions in inches

Width	Height	Depth	Mounting Holes	
W	H	D	Width M1	Height M2
13.32	16.04	9.28	10.56	15.27



System Overview

On liquid rise, level reaches pump “start” probe to start the pump. Pump will remain on until level is below “off” probe. The “off” probe senses air or oil and turns the pump off so the oil layer will not be pumped

out of the tank. If the level reaches alarm probe and mechanical float, the system will differentiate between water and oil and activate the remote alarm.

Warning – You must separate the Power Cord from the pump and the cord of the Preset Level Sensor by at least **2"** whether the cables are in the tank and when they are above ground in separate conduits.

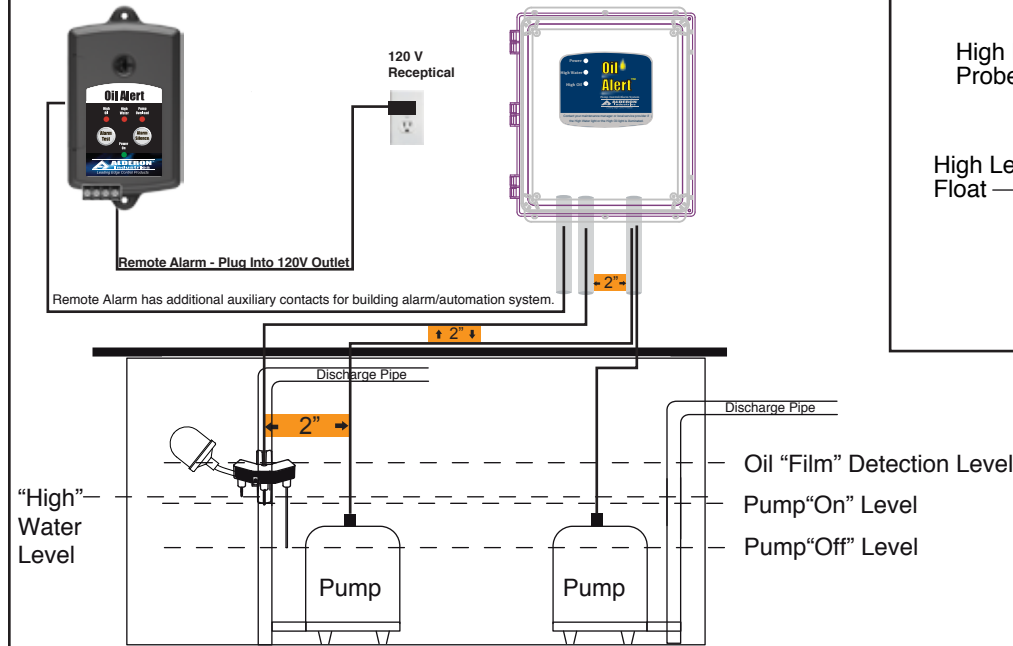
Remote Alarm



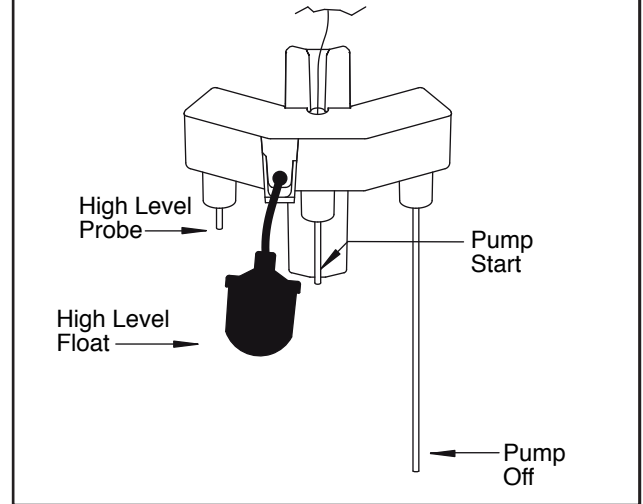
Remote Alarm - Plug Into 120V Outlet

Remote Alarm has additional auxiliary contacts for building alarm/automation system.

Control Panel



Preset Level Sensor



Specifications

Sensor

- ▶ **Housing:** ABS
- ▶ **Probe:** Stainless Steel
- ▶ **Float:** PVC

Control Panel

- ▶ **Enclosure:** Type 1

Alarm Panel

- ▶ **Enclosure:** Type 1
- ▶ **Power Cord:** Plug In Transformer, 120 VAC
- ▶ **Backup Power:** 9 VDC Battery Backup
- ▶ **LED Alarm Indicators**
- ▶ **Audible Alarm:** 103 db buzzer, auto test/reset
- ▶ **Auxiliary Contacts:** High Water, High Oil, OPTIONAL Pump Fail

Order Number



Part Number	Description *For Longer Cord Lengths Consult Factory.
7851	Oil Alert, 1 Phase, Duplex, 120 VAC, 15 Amps, Sensor, 2 Zone Remote Alarm
7852	Oil Alert, 1 Phase, Duplex, 120 VAC, 15 Amps, 3 Zone Remote Alarm W/OVERLOAD ~ (Specify AMP Range)
7853	Oil Alert, 1 Phase, Duplex, 230 VAC, 15 Amps, Sensor, 2 Zone Remote Alarm
7854	Oil Alert, 1 Phase, Duplex, 230 VAC, 15 Amps, Sensor, 3 Zone Remote Alarm W/OVERLOAD ~ (Specify AMP Range)
-4X	Place -4X after any of the part numbers above for a Nema 4X System