

Mini Doser™ - Septic System Mini Dosing

Leading Edge Design



1. High Amp Rating

- ▶ Eliminates 1/2 horsepower float switches.
- ▶ Rated at 15 amps, allows the Mini Doser™ to be used on both small and large horsepower pumps.

2. Environmentally Safe

- ▶ Patented mechanical switching mechanism eliminates the use of hazardous mercury.

3. High Integrity Design

- ▶ Special made cable utilizes a high number of fine stranded copper wires for an extremely flexible, long-life cable.
- ▶ Heavy duty contacts.



Features

Patented Mechanical Design

Mechanically activated snap action contacts

PVC Float Housing

Excellent corrosion resistant and withstands high impacts

Heavy Duty Cable

Extra flexible 14 gauge, 2 conductor cable

Omni-Directional

Not sensitive to rotation or turbulence

Adjustable Pumping Range

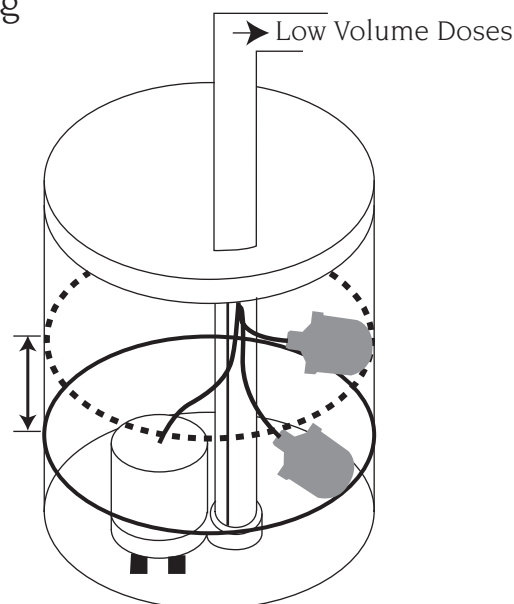
3.25" to 9"

UL Listed / 3-Year Warranty

Guaranteed safety and performance

Applications

Mini or "Micro" Dosing



3.25" Minimum Pumping Range

Makes The Mini Doser™ Perfect For Low Volume Dosing

Specifications

Electrical

15 amps, 120/230 VAC

Operating Temperature

0-140 F

Float Housing

3.25" diameter x 4.55" length, high impact PVC

Cable

Flexible 14 gauge, 2 conductors, SJOW (UL, CSA), water resistant, rubber (CPE)

Switching Differential

40 degrees total

NOTE: The Mini Doser™ must be used with pumps that provide integral thermal overload protection.



Leading Edge Control Products

Alarm Systems

Control Panels

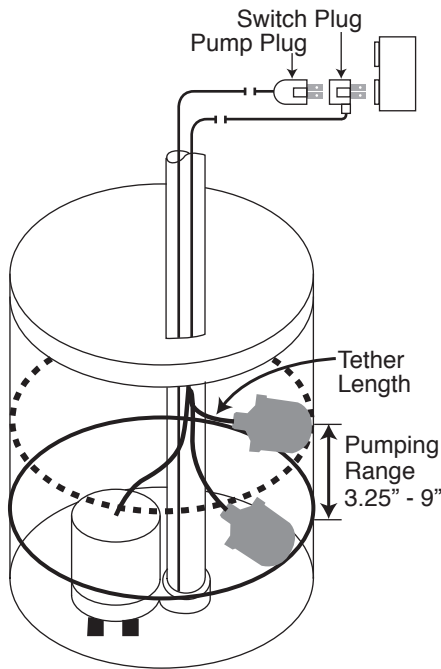
Float Switches

Leak Detection Systems

Mini Doser™ - Septic System Mini Dosing

Installation Notes

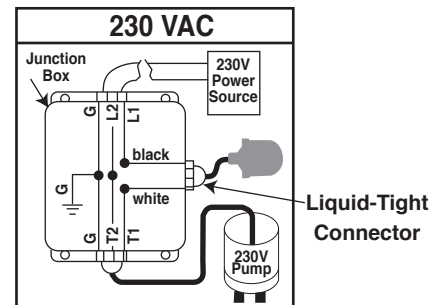
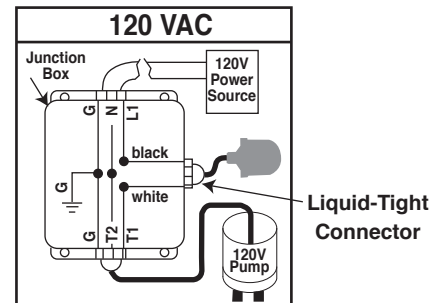
Piggy Back Installation



Determining Pumping Range in Inches	
Tether Length	Pumping Range
3	3.25
4	3.75
5	4.00
6	4.50
7	5.00
8	5.25
9	6.00
10	6.25
11	7.25
12	7.50
13	8.75
14	9.00

Use only as a guide. Pumping ranges are based on testing in non-turbulent conditions. Range may vary due to water temperature and cord shape. NOTE: As the tether length increases, so does the variance of the pumping range.

Direct Wire Installation



Order Numbers

Part Number	Description
7140	Mini Doser™, Pump Down, 15' Cable, 120 VAC Piggy Back Plug (Empty Tank)
7141	Mini Doser™, Pump Down, 20' Cable, 120 VAC Piggy Back Plug (Empty Tank)
7142	Mini Doser™, Pump Down, 30' Cable, 120 VAC Piggy Back Plug (Empty Tank)
7143	Mini Doser™, Pump Down, 15' Cable, 120/230 VAC No Plug (Empty Tank)
7144	Mini Doser™, Pump Down, 20' Cable, 120/230 VAC No Plug (Empty Tank)
7145	Mini Doser™, Pump Down, 30' Cable, 120/230 VAC No Plug (Empty Tank)

Please reference the price schedule for the complete product listing (i.e., 230V Piggy Back Plug and Longer Cord Lengths).



Leading Edge Control Products

CS1010A

Alarm Systems

Control Panels

Float Switches

Leak Detection Systems

PO Box 827 • Hawley, MN 56549 • (218) 483-3034 • Fax (218) 483-3036 • www.alderonind.com