

Low Temperature Auto Dialer Furnace Fail System

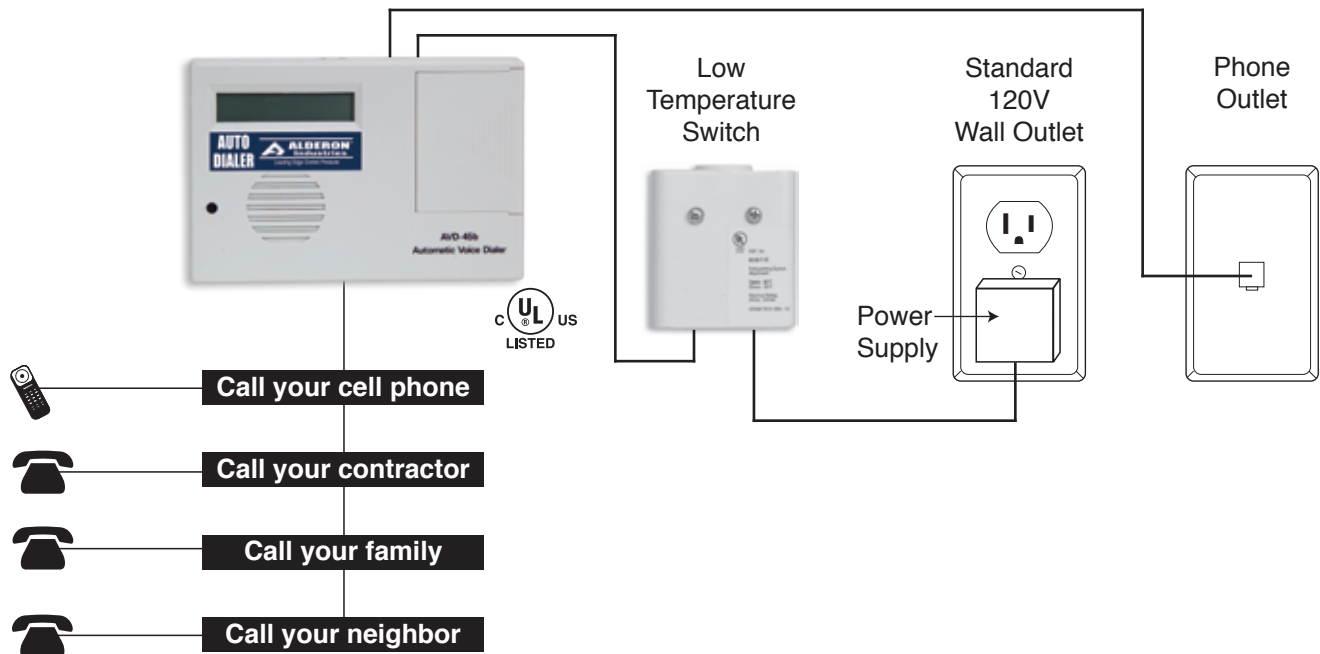
Personal Notification While You're Away From Home

- ▶ Frozen pipes can cause major water damage
- ▶ No monthly fees
- ▶ Notifies up to four people
- ▶ Fully automated

Complete Installation In Four Easy Steps

- 1** Mount Auto Dialer and Low Temperature Switch To Wall
- 2** Connect To A Phone Line
- 3** Plug Power Supply Into Wall Outlet
- 4** Enter Call Out Numbers and Outgoing Message

The Auto Dialer sequentially dials any combination of four telephones, cell phones or pagers and delivers a recorded alarm message.



Leading Edge Control Products

Alarm Systems

Control Panels

Float Switches

Leak Detection Systems

Low Temperature Auto Dialer Furnace Fail System

Features

- ▶ Non volatile memory for voice message and phone numbers
- ▶ Calls up to four numbers any combination of telephones or pagers
- ▶ Sends up to 16 second voice message to phones or numeric code to pagers
- ▶ Record your own message in any language
- ▶ Easily change message and numbers without programmer
- ▶ Voice chip technology (no tape required)
- ▶ Ability to program a pause and pound (#) tone in dialing sequence for pagers
- ▶ Returns to call unanswered numbers
- ▶ 2 x 16 character LCD window
- ▶ Internal playback speaker for voice message
- ▶ Programmable exit and entry delay
- ▶ Internal 9V battery backup (customer supplies battery)
- ▶ Works with PBX or regular phone systems
- ▶ Tone or pulse dialing

Specifications

Auto Dialer

- ▶ **Operating Voltage:** 9-12 VDC (from included 120 VAC power supply)
- ▶ **Operating Temperature:** 0-130 F
- ▶ **Dimensions (inches):** 6.0 x 4.0 x 1.5
- ▶ **Mounting:** Mounts on flat wall

Low Temperature Switch

- ▶ **Detection Temperature:** 40 F (fixed)
- ▶ **Dimensions (inches):** 2.375 x 2.25 x 1.0
- ▶ **Mounting:** Mounts on flat wall



Auto Dialer



Furnace Fail

Part Number	Description
7030	Furnace Fail - Low Temperature Auto Dialer



Leading Edge Control Products

CS1007A