

# Two Float Pump Switch DOUBLEMAX™ Pump Control

## Leading Edge Design



### 1. High Amp Rating

- ▶ Rated at 15 amps, the Doublemax™ can be used on both small and large horsepower pumps.

### 2. Environmentally Safe

- ▶ Patented mechanical switching mechanism eliminates the use of hazardous mercury.

### 3. High Integrity Design

- ▶ Special made cable utilizes a high number of fine stranded copper wires for an extremely flexible, long-life cable.
- ▶ Heavy duty contacts.



Pump Range: 2" - 60"

Pump Down & Pump Up Models

## Features

### Patented Mechanical Design

Mechanically activated snap action contacts

### PVC Float Housing

Excellent corrosion resistant and withstands high impacts

### Heavy Duty Cable

Extra flexible 14 gauge, 2 conductor cable

### Omni-Directional

Not sensitive to rotation or turbulence

### 2" - 60" Pumping Range

### UL Listed / 3-Year Warranty

Guaranteed safety and performance

## Applications

### Normally Open (Pump Down)

The Doublemax™ turns on (closes) when the top float is 5 degrees **above** horizontal, turning on the pump and turns off (opens) when the bottom float drops 5 degrees **below** horizontal, turning off the pump.

### Normally Closed (Pump Up)

The Doublemax™ turns on (closes) when the bottom float drops 5 degrees **below** horizontal, turning on the pump and turns off (opens) when the top float is 5 degrees **above** horizontal, turning off the pump.

See Figure 1 and Figure 2 on the back of this page for mounting and float configuration for Pump Down or Pump Up models.

## Specifications

### Electrical

15 amps, 120/230 VAC

### Operating Temperature

0-140 F

### Float Housing

3.25" diameter x 4.55" length, high impact PVC

### Cable

Flexible

2 conductors, SJOOW (UL, CSA), water resistant, rubber (CPE)

NOTE: The Doublemax™ must be used with pumps that provide integral thermal overload protection.



Leading Edge Control Products

Alarm Systems

Control Panels

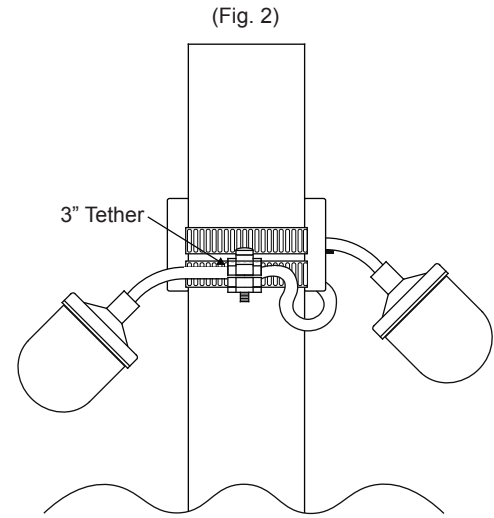
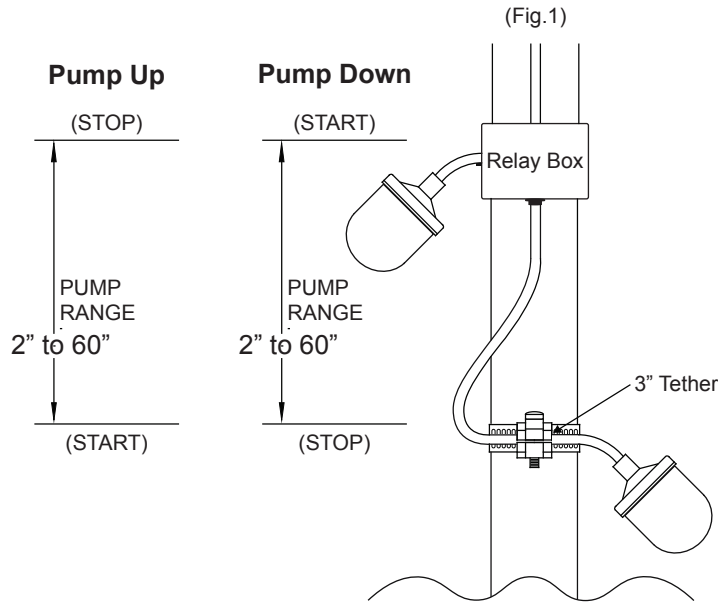
Float Switches

Leak Detection Systems

# Two Float Pump Switch **DOUBLEMAX™ Pump Control**

**Pump Down Model - Pump Activates on Upper Float**

**Pump Up Model - Pump Activates on Lower Float**



Note: To achieve minimum pump range the bottom float must be mounted as high as possible and clamped on the back side of pipe (Fig. 2) rather than "front side" as shown (Fig. 1).

Note: To achieve minimum pump range the bottom float must be mounted as high as possible and clamped on the back side of pipe (Fig. 2).

## Order Numbers

Part Number	Description
7633	Doublemax™ Switch, Pump Down, 15' Cable, 120 VAC Piggy Back Plug (Empty Tank)
7639	Doublemax™ Switch, Pump Down, 20' Cable, 120 VAC Piggy Back Plug (Empty Tank)
7645	Doublemax™ Switch, Pump Down, 30' Cable, 120 VAC Piggy Back Plug (Empty Tank)
7651	Doublemax™ Switch, Pump Down, 15' Cable, 230 VAC Piggy Back Plug (Empty Tank)
7657	Doublemax™ Switch, Pump Down, 20' Cable, 230 VAC Piggy Back Plug (Empty Tank)
7663	Doublemax™ Switch, Pump Down, 30' Cable, 230 VAC Piggy Back Plug (Empty Tank)
7636	Doublemax™ Switch, Pump Up, 15' Cable, 120 VAC Piggy Back Plug (Fill Tank)
7642	Doublemax™ Switch, Pump Up, 20' Cable, 120 VAC Piggy Back Plug (Fill Tank)
7648	Doublemax™ Switch, Pump Up, 30' Cable, 120 VAC Piggy Back Plug (Fill Tank)
7654	Doublemax™ Switch, Pump Up, 15' Cable, 230 VAC Piggy Back Plug (Fill Tank)
7660	Doublemax™ Switch, Pump Up, 20' Cable, 230 VAC Piggy Back Plug (Fill Tank)
7666	Doublemax™ Switch, Pump Up, 30' Cable, 230 VAC Piggy Back Plug (Fill Tank)

Please reference the price schedule for No Plug (bare leads) and other Doublemax™ float switches not listed.



CS1011A