

Description of Operation

The 3 phase Simplex Oil Alert is a NEMA 1 (indoor rated) three phase simplex control panel. It's designed to pump water out of elevator sump pits, transformer vaults and leachate wells while containing the oil or hydrocarbons in the pumping tank. The panel operates 208, 230 or 460 VAC pumps. (575 VAC or other voltages are available upon request) Indicator lights on the front door will illuminate if the systems has power or if there is a high water, high oil, or pump fail. A remote alarm provides audio & visual alarm. The panel and pump are hardwired through conduit. The Preset Level Sensor mounts in the pumping tank or pit.

Electrical Ratings

- 3 Phase
- 1-32 Amps
- 208/230/460V
- 60 Hz.

External Components

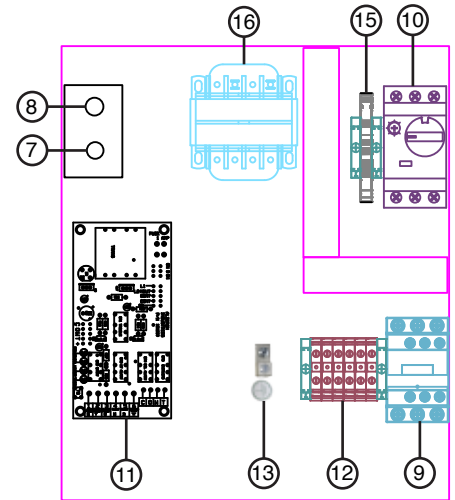
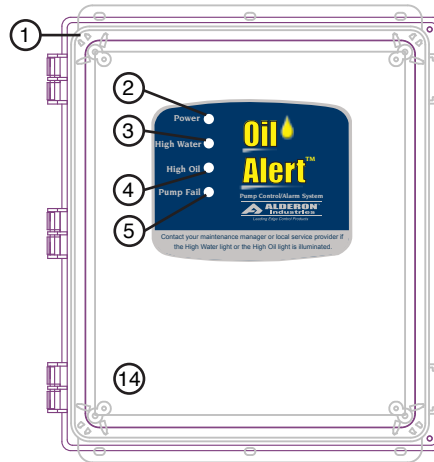
- ① 14X12X8 Nema 1 Thermoplastic
- ② Green Power On Indicator
- ③ Blue High Water Indicator
- ④ Red High Oil Indicator
- ⑤ Red Pump Fail Indicator
- ⑥ Preset Level Sensor

Internal Components

- ⑦ Green Pump 1 Run Indicator
- ⑧ HOA Switch
- ⑨ IEC Motor Contactor
- ⑩ Motor Protective Switch
- ⑪ Circuit Board
- ⑫ Terminal Blocks
- ⑬ Ground Lug
- ⑭ UL Listed
- ⑮ Control Fuse
- ⑯ Multi Tap Transformer

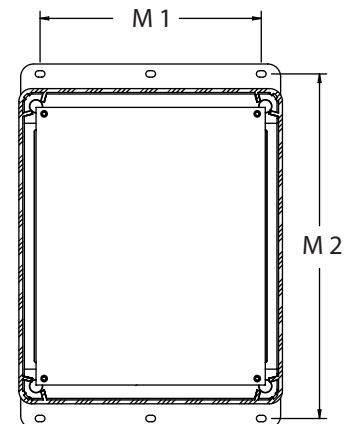
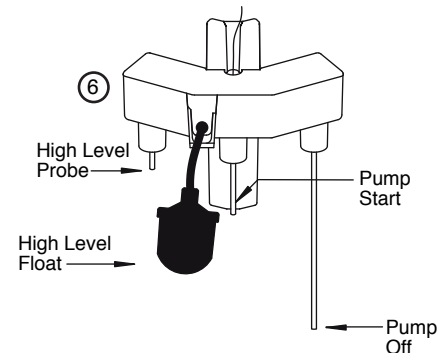
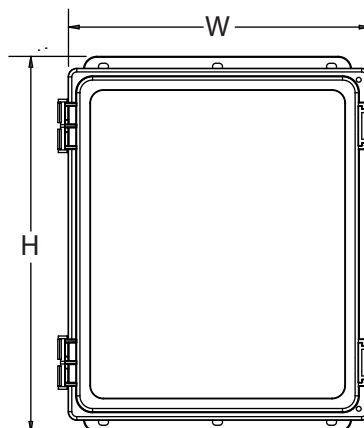
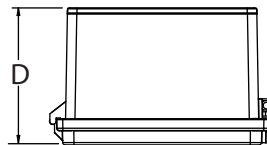
Features and Benefits

- Separate alarm & control fuses
- Preset Level Sensor



Enclosure Dimensions in inches

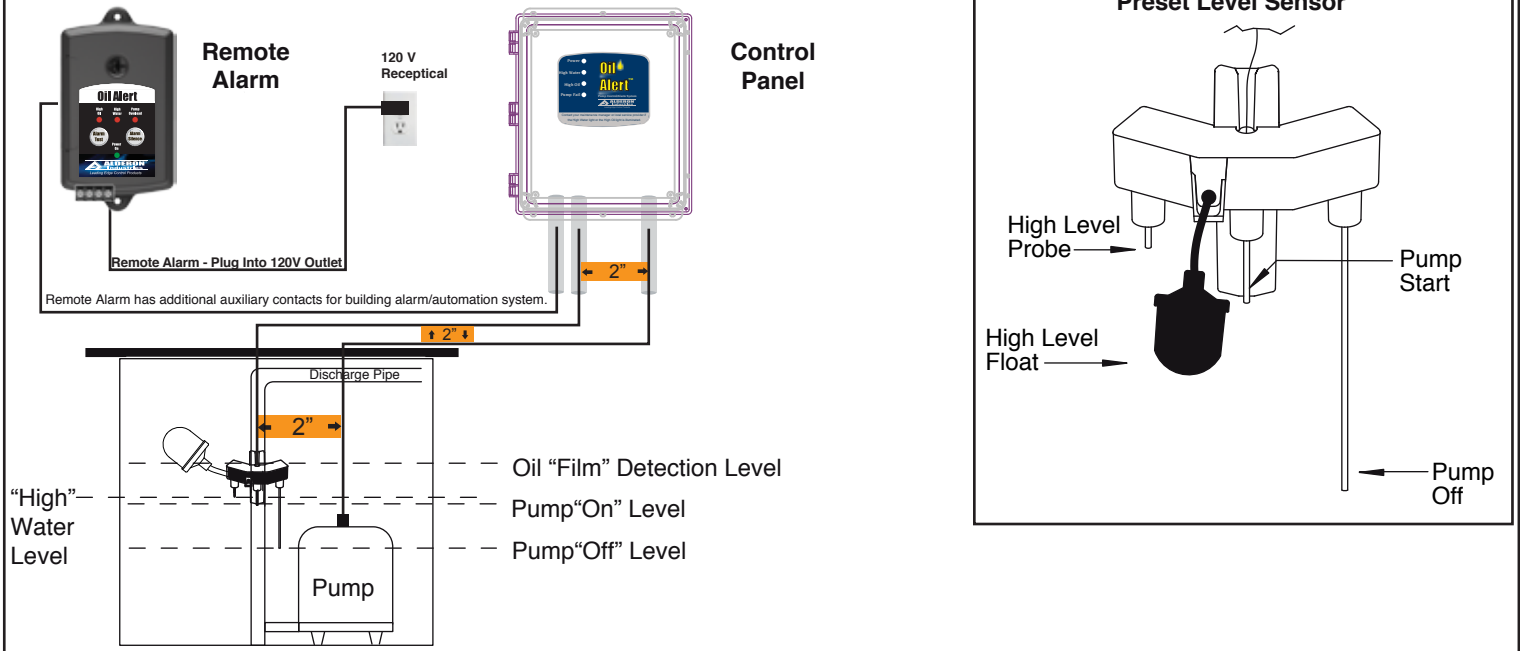
| Width | Height | Depth | Mounting Holes | |
|-------|--------|-------|----------------|-----------|
| W | H | D | Width M1 | Height M2 |
| 13.32 | 16.04 | 9.28 | 10.56 | 15.27 |



System Overview

On liquid rise, level reaches pump “start” probe to start the pump. Pump will remain on until level is below “off” probe. The “off” probe senses air or oil and turns the pump off so the oil layer will not be pumped out of the tank. If the level reaches alarm probe & mechanical float, the system will differentiate between water & oil and activate the remote alarm.

Warning – You must separate the Power Cord from the pump and the cord of the Preset Level Sensor by at least **2"** whether the cables are in the tank and when they are above ground in separate conduits.



Specifications

Sensor

- ▶ **Housing:** ABS
- ▶ **Probe:** Stainless Steel
- ▶ **Float:** PVC

Control Panel

- ▶ **Enclosure:** Type 1
- ▶ **Voltage:** 208/230/460 VAC

Alarm Panel

- ▶ **Enclosure:** Type 1
- ▶ **Power Cord:** Plug In Transformer, 120 VAC

- ▶ **Backup Power:** 9 VDC Battery Backup
- ▶ **LED Alarm Indicators**
- ▶ **Audible Alarm:** 103 db buzzer, auto test/reset
- ▶ **Auxiliary Contacts:** High Water, High Oil, OPTIONAL Pump Fail

Order Number



| Part Number | Description *For Longer Cord Lengths Consult Factory. |
|-------------|---|
| 7855 | Oil Alert, 3 Phase, Simplex, 208/230/460 VAC, 1.0-1.6 Amps, Sensor, 3 Zone Remote Alarm |
| 7856 | Oil Alert, 3 Phase, Simplex, 208/230/460 VAC, 1.6-2.5 Amps, Sensor, 3 Zone Remote Alarm |
| 7857 | Oil Alert, 3 Phase, Simplex, 208/230/460 VAC, 2.5-4.0 Amps, Sensor, 3 Zone Remote Alarm |
| 7858 | Oil Alert, 3 Phase, Simplex, 208/230/460 VAC, 4.0-6.3 Amps, Sensor, 3 Zone Remote Alarm |
| 7859 | Oil Alert, 3 Phase, Simplex, 208/230/460 VAC, 6.0-10.0 Amps, Sensor, 3 Zone Remote Alarm |
| 7860 | Oil Alert, 3 Phase, Simplex, 208/230/460 VAC, 9.0-14.0 Amps, Sensor, 3 Zone Remote Alarm |
| 7861 | Oil Alert, 3 Phase, Simplex, 208/230/460 VAC, 13.0-18.0 Amps, Sensor, 3 Zone Remote Alarm |
| 7862 | Oil Alert, 3 Phase, Simplex, 208/230/460 VAC, 17.0-23.0 Amps, Sensor, 3 Zone Remote Alarm |
| 7863 | Oil Alert, 3 Phase, Simplex, 208/230/460 VAC, 20.0-25.0 Amps, Sensor, 3 Zone Remote Alarm |
| 7864 | Oil Alert, 3 Phase, Simplex, 208/230/460 VAC, 24.0-32.0 Amps, Sensor, 3 Zone Remote Alarm |
| -4X | Place -4X after any of the part numbers above for a Nema 4X System |